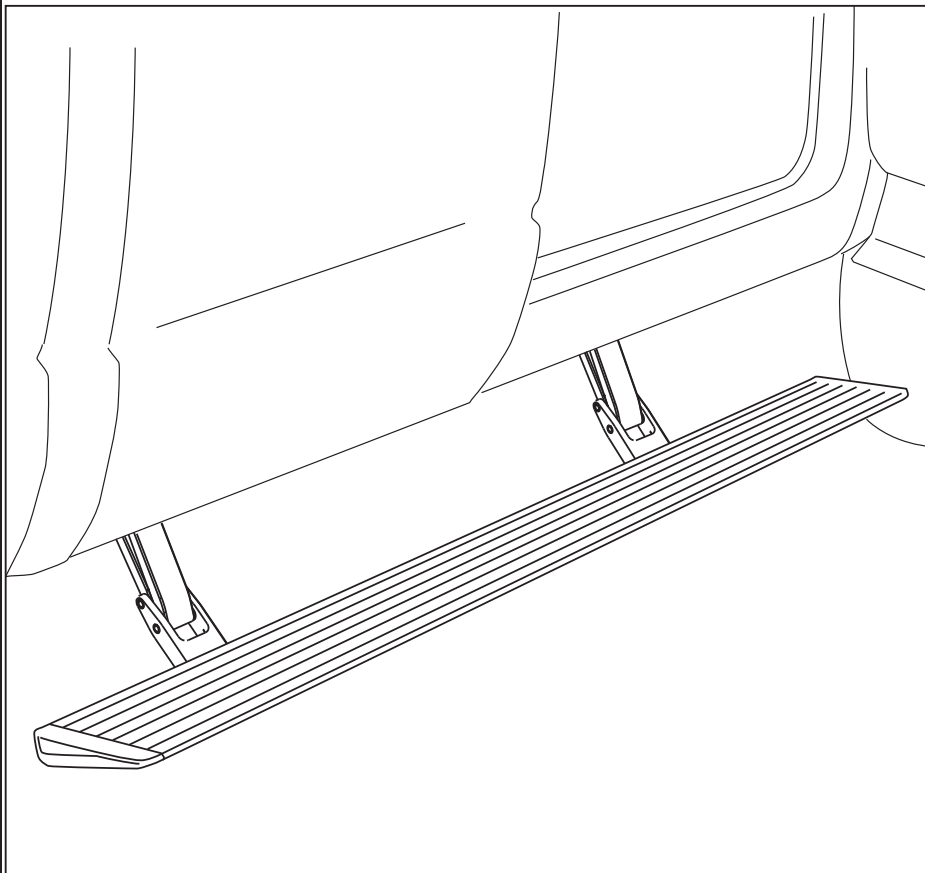


INSTALLATION GUIDE

AMP RESEARCH Power Step

Nationally Distributed by Bestop

APPLICATION	MODEL YR	PART #
Dodge Ram Quad Cab	2002 - 2007	10-02770-11
Dodge Ram Mega Cab	2006 - 2007	10-02770-13



INSTALLATION TIME



SKILL LEVEL



4= Experienced

TOOLS REQUIRED

- Safety goggles
- Measuring tape
- Flat blade screwdriver
- Phillips head screwdriver
- Right angle drill
- 1/8" drill bit
- 13 mm socket
- Ratchet wrench and extension
- Soldering iron
- Wire crimpers
- Wire stripper / cutter
- Corrosion inhibitor
- 3/16" hex key wrench (allen wrench)
- 1/8" hex key wrench (allen wrench)
- 4 mm hex key wrench (allen wrench)
- Pop rivet tool
- Electrical tape

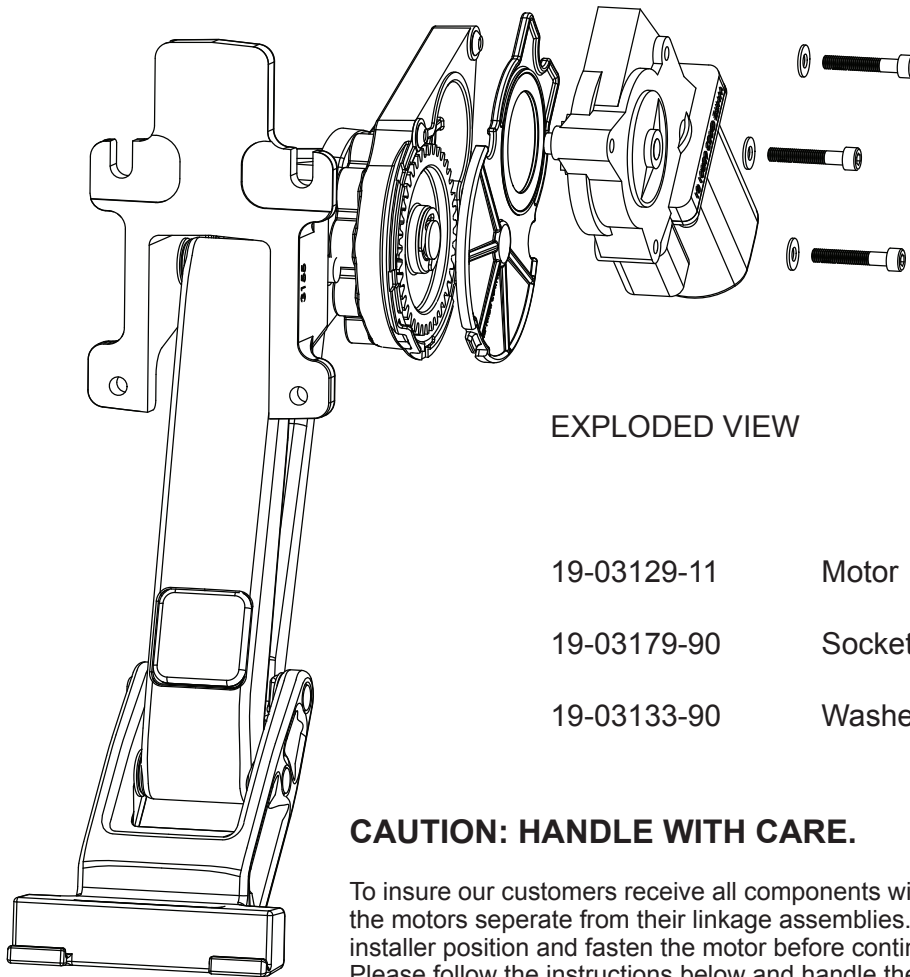
TECH SUPPORT 1-888-983-2206 (Press 5 for Customer Service) Monday - Friday, 8:00 AM - 5:00 PM PST

Designed and manufactured by AMP Research. Patent 6,830,257 / 6,641,158 / 6,834,875 / 6,938,909 / 6,942,233 / 7,007,961 Other US and worldwide patents pending. Three-year limited warranty. Professional installation is recommended. Nationally Distributed by Bestop.

INSTALLATION GUIDE

Attaching motor to linkage assembly

The motors need to be installed before continuing with the rest of the Power Step install.



EXPLODED VIEW

19-03129-11	Motor
19-03179-90	Socket cap screw
19-03133-90	Washer

CAUTION: HANDLE WITH CARE.

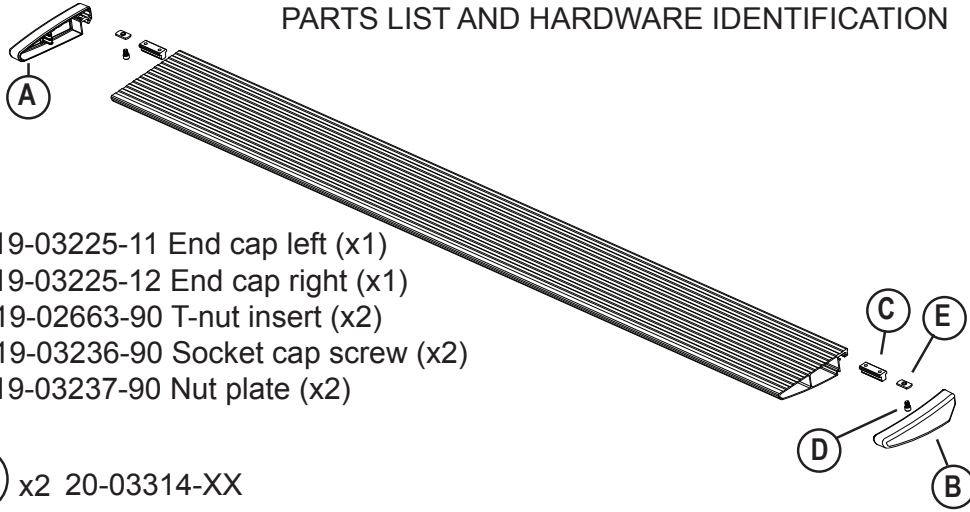
To insure our customers receive all components with full integrity, we pack the motors separate from their linkage assemblies. This requires that the installer position and fasten the motor before continuing with the install. Please follow the instructions below and handle the assembly carefully.

CAUTION: Dropping the assembly or any excessive impact MAY cause damage to the motor.

Instructions:

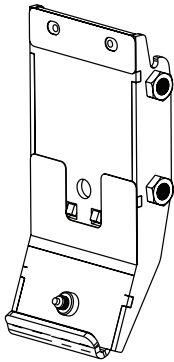
1. Position the gear cover in place as shown if not already in place.
2. Seat motor into position on the three mounting bosses. This may require an adjustment of the gear by moving the swing arms.
3. After seating into place, fasten the motor with the three motor mount screws with T30 Torx. Tighten screws to 80 in-lbs (9N-m). Do not over torque.

PARTS LIST AND HARDWARE IDENTIFICATION

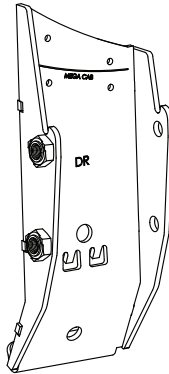


- (A) 19-03225-11 End cap left (x1)
- (B) 19-03225-12 End cap right (x1)
- (C) 19-02663-90 T-nut insert (x2)
- (D) 19-03236-90 Socket cap screw (x2)
- (E) 19-03237-90 Nut plate (x2)

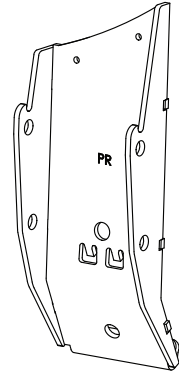
① x2 20-03314-XX
Running board assembly



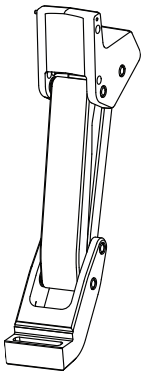
② x2
10-02819-10
Front Bracket



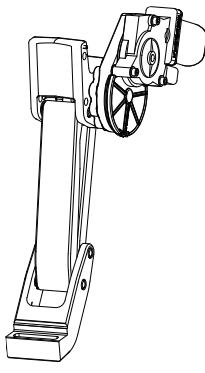
③
10-02821-10
Driver Rear Bracket



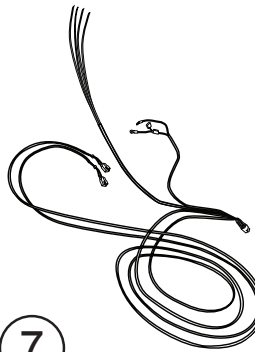
④
10-02820-10
Passenger Rear Bracket



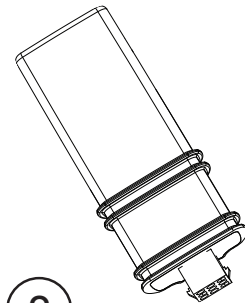
⑤ x2
10-02815-16
Idler Linkage



⑥ x2
10-02814-16
Motor Linkage

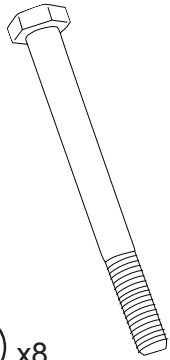


⑦
19-02774-91
Wire Harness

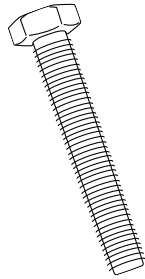


⑧
19-03297-93
Controller

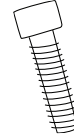
PARTS LIST AND
HARDWARE
IDENTIFICATION



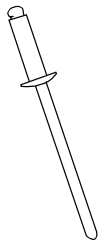
9 x8
19-02781-90
Hex Bolt



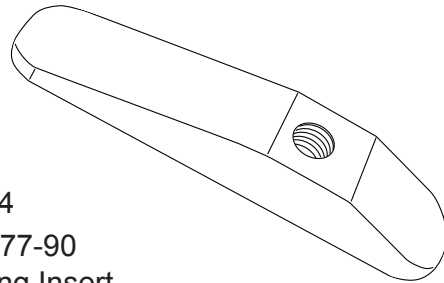
10 x4
19-02782-90
Hex Bolt



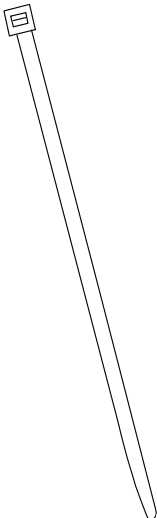
11 x8
19-02802-90
Socket Cap Screw



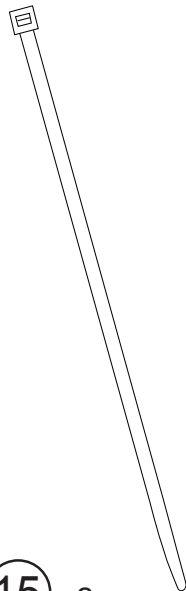
12 x8
19-02784-90
Blind Rivet



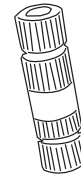
13 x4
19-02777-90
Mounting Insert



14 x25
19-02805-90
Cable tie (7")



15 x2
19-03339-90
Cable tie (11")



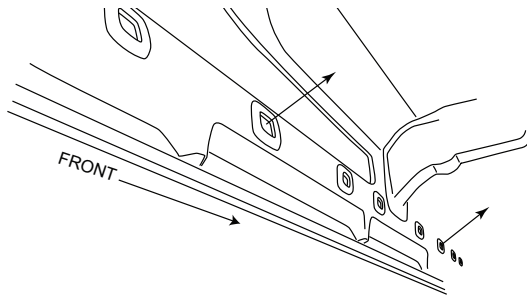
16 x4
19-03354-90
Posi-Taps™ (Red/Grey)



17
19-03354-90
Damper Bracket Kit
(Only needed for 1500 Quad Cab)

AMP RESEARCH POWER STEP – DODGE RAM

Note: Steps 1-8 shown on driver side.
Repeat these steps on passenger side.

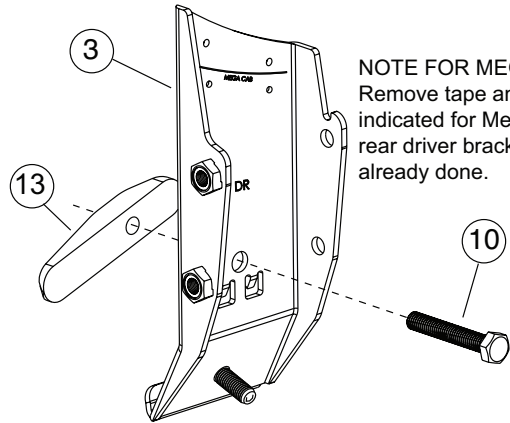


Counting large oval sill holes from the front, remove covering (plug or tape) from the below indicated mounting points.

1

QUAD CAB: 3rd and 7th from the front.
MEGA CAB: 3rd and 8th from the front.

Prepare brackets for install

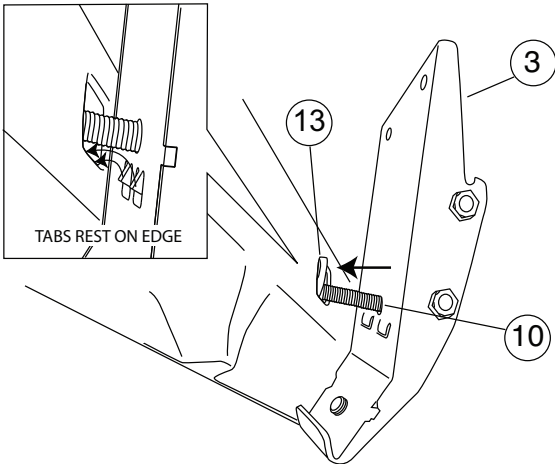


NOTE FOR MEGA CAB:
Remove tape and cut as indicated for Mega Cab rear driver bracket if not already done.

2

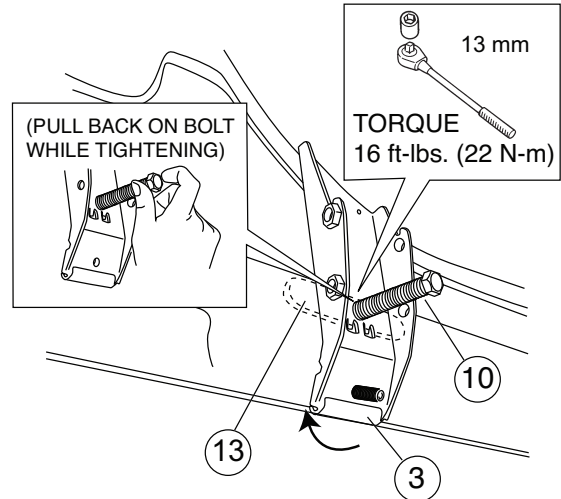
DRIVER REAR BRACKET SHOWN

Install rear mounting bracket



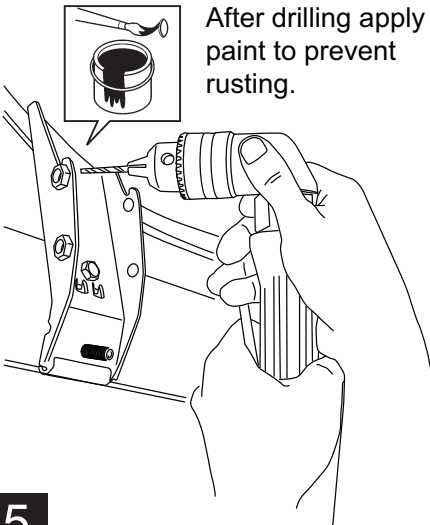
3

Fasten down rear mounting bracket



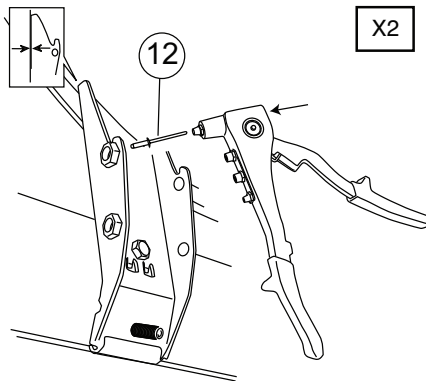
4

After drilling apply paint to prevent rusting.

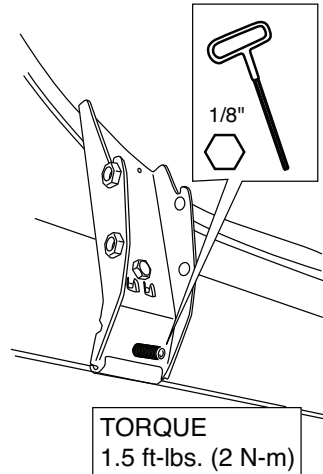


5

Bracket must be flush with the sidewall before riveting.

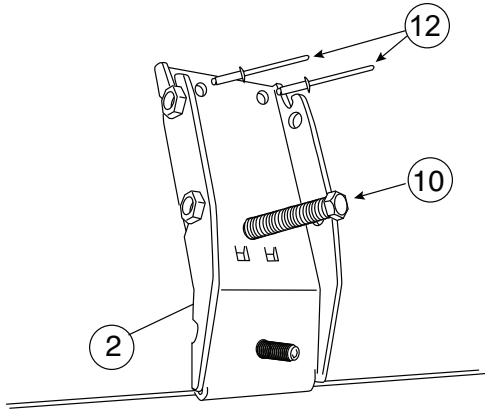


6



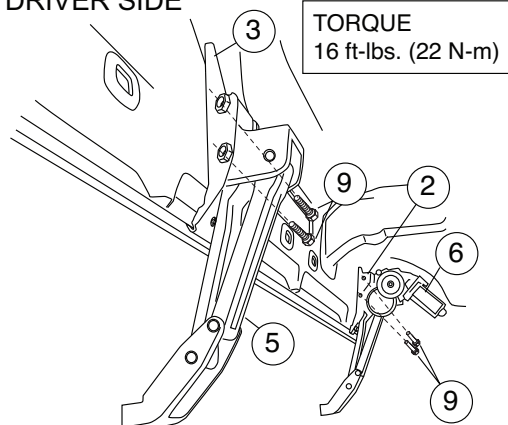
7

Repeat steps 2 thru 6 for front mounting bracket.



8

DRIVER SIDE



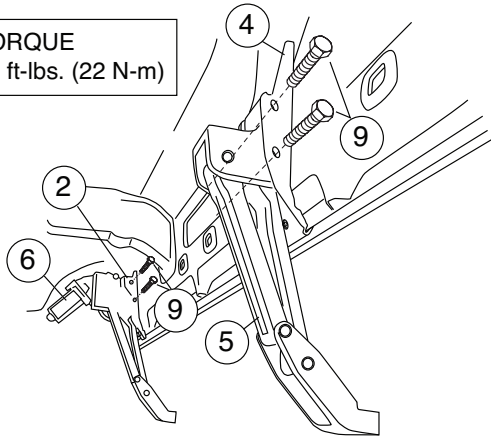
TORQUE
16 ft-lbs. (22 N-m)

CAUTION: Swing in idler arm can cause pinch point.

9

Install rear mounting bracket

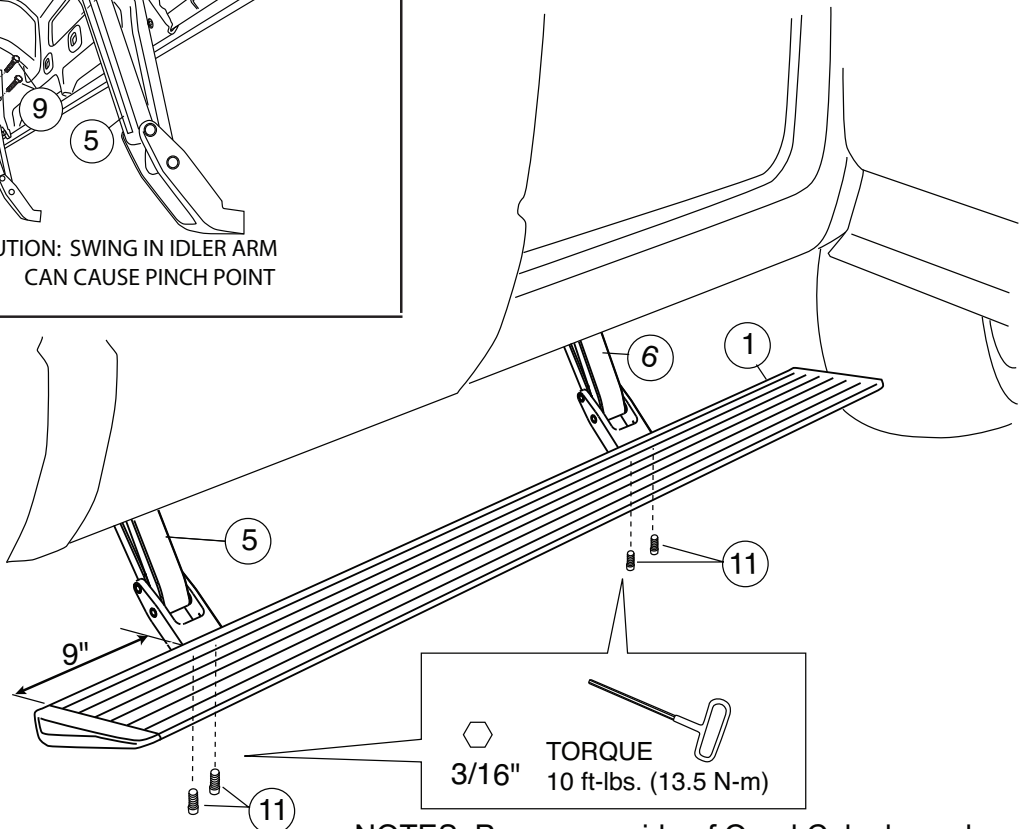
TORQUE
16 ft-lbs. (22 N-m)



CAUTION: SWING IN IDLER ARM CAN CAUSE PINCH POINT

10

Mount step extrusion to linkage assemblies. Fasten loosely to allow for adjustments.

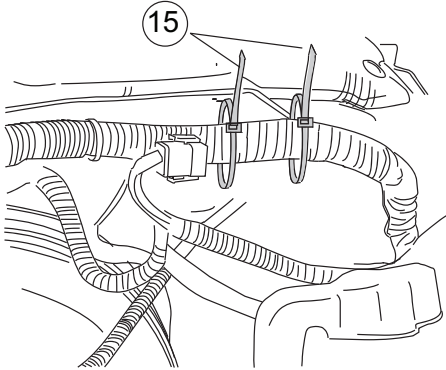


3/16" TORQUE
10 ft-lbs. (13.5 N-m)

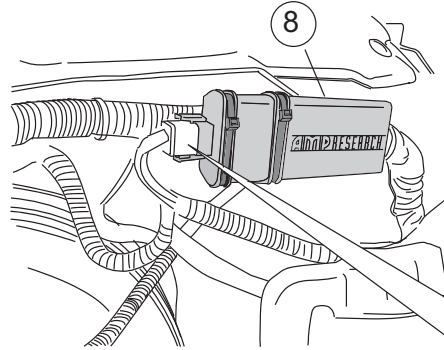
NOTES: Passenger side of Quad Cab shown here. 80 inch board recommended for Mega Cab.

11

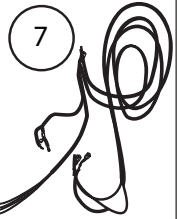
Attach 11" cable ties loosely around harness.



Slide controller through cable ties. Line up cable ties with grooves in controller and tighten.

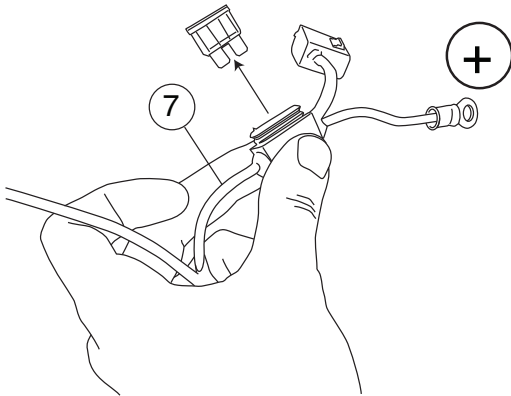


Attach wire harness to the control box.

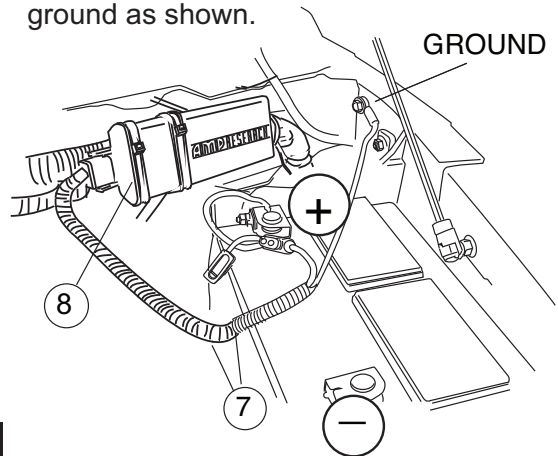


12

Remove fuse from Power Step wire harness.



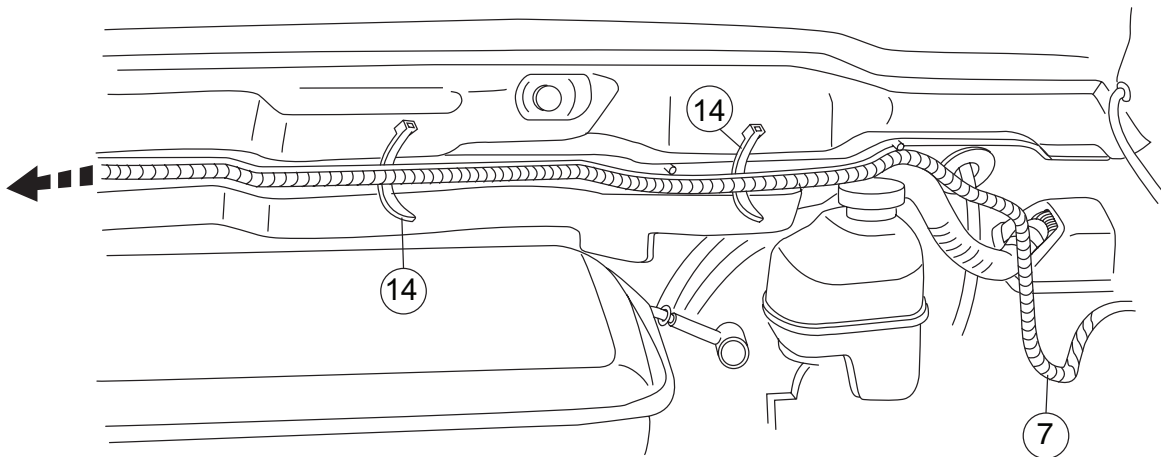
Attach power leads, red lead to positive battery terminal and the black lead to body ground as shown.



13

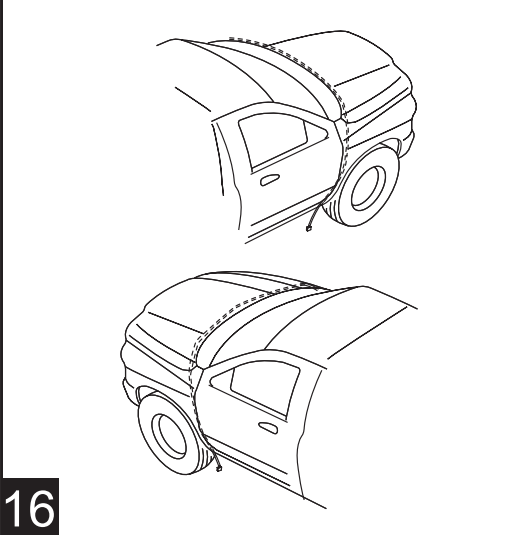
14

Route long leg of wire harness to passenger side across fire wall. Secure with tie wraps.

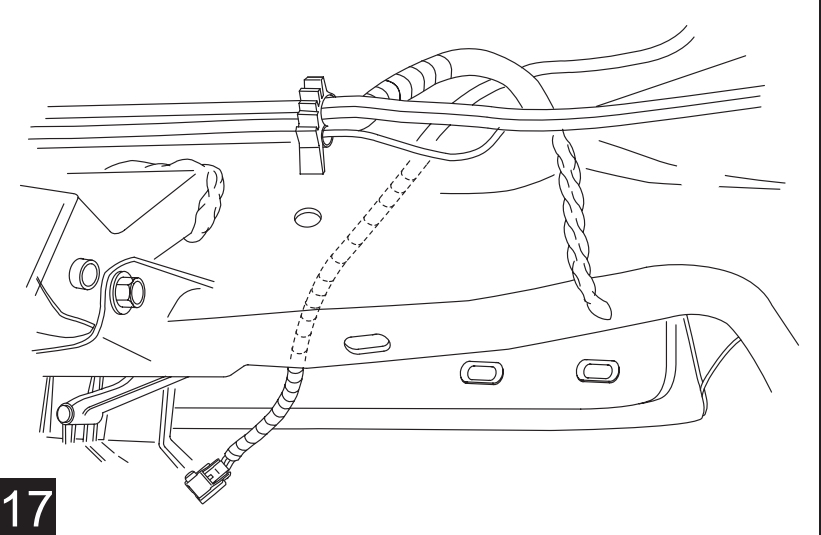


15

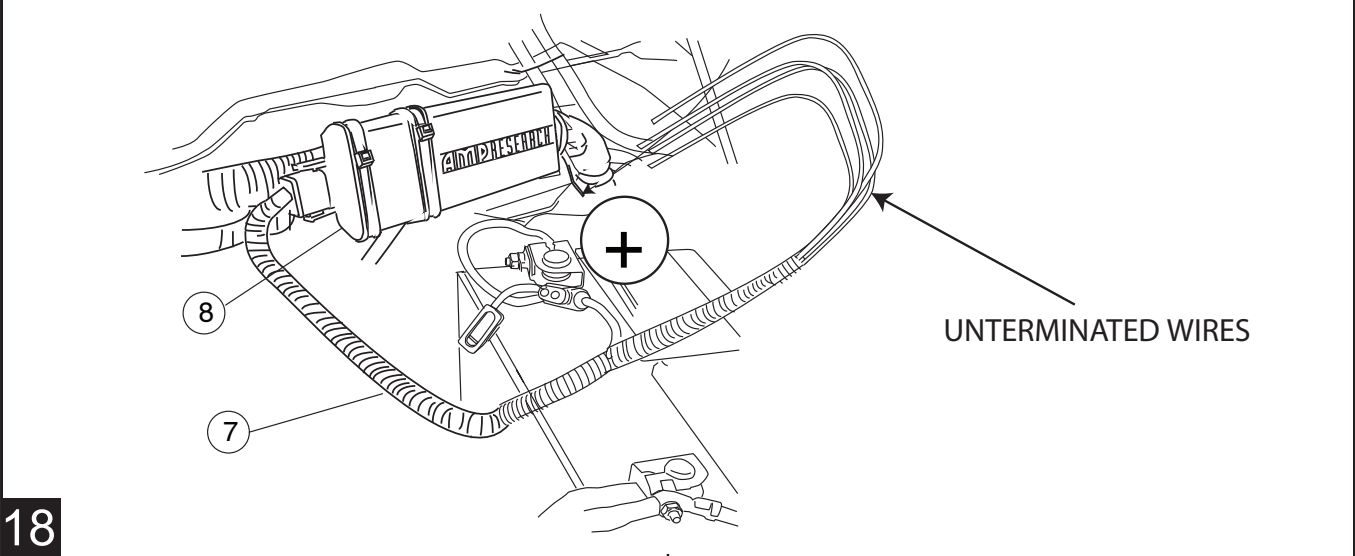
AMP RESEARCH POWER STEP – DODGE RAM



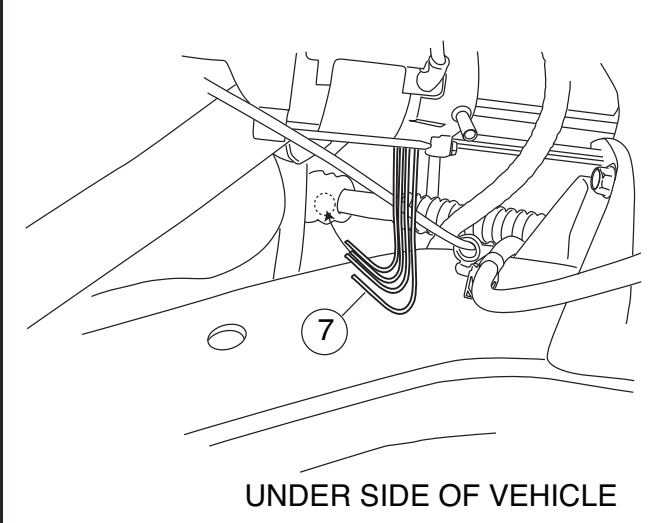
16



17

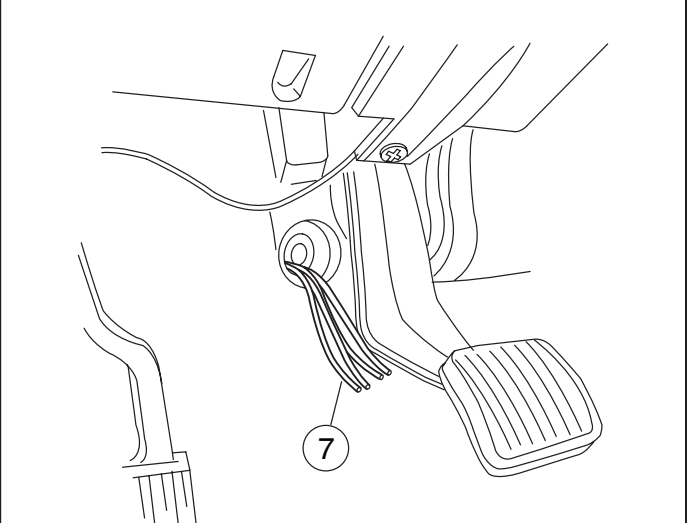


18



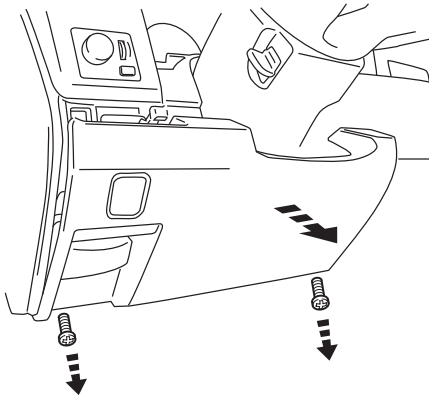
19

UNDER SIDE OF VEHICLE



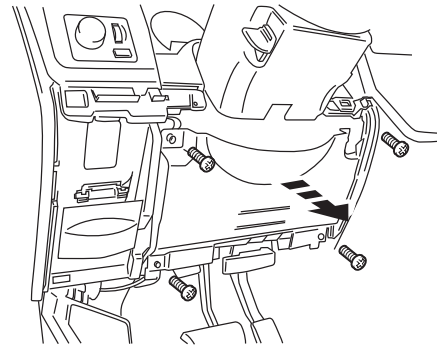
20

Remove plastic panel beneath steering column.



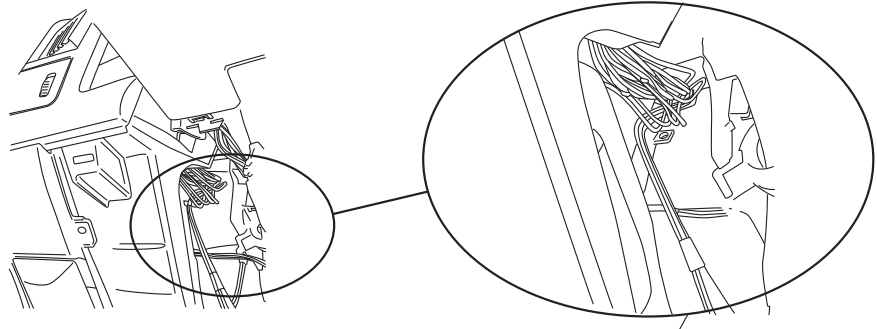
21

Remove metal panel revealed by step 21. Model years 2002-2005 will not have this panel to remove.



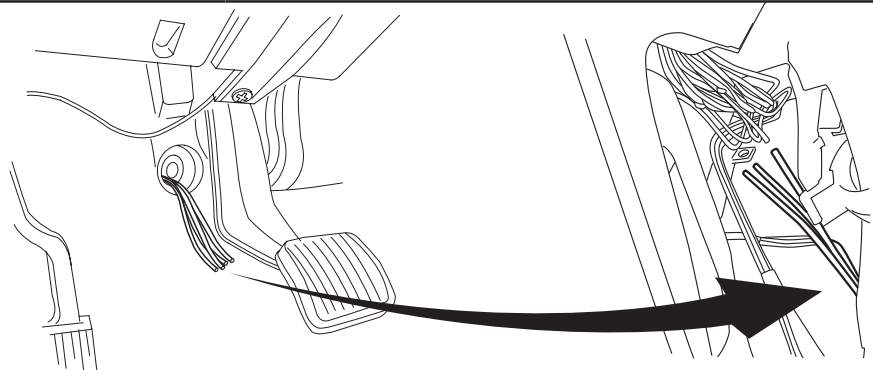
22

Locate bundle of wires high and to the left of steering column (2002-2005 applications will find this bundle running down the right side of the steering column).



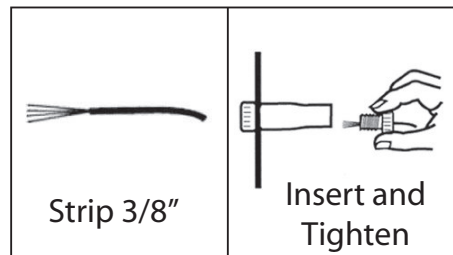
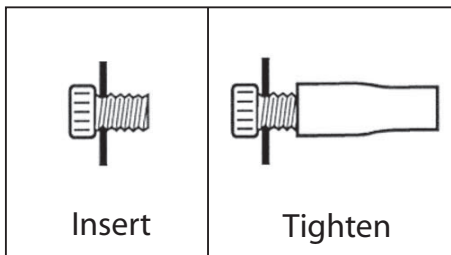
23

Pull wires through and run them up to the wires found in the previous step.



24

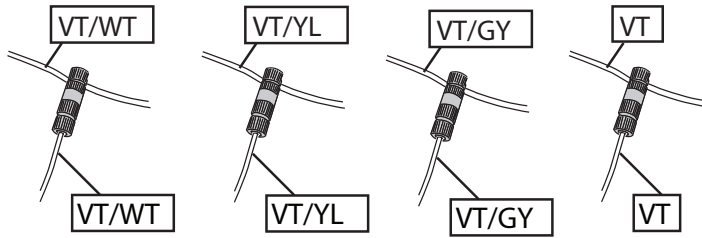
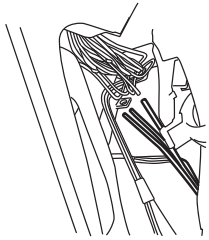
Using supplied Posi-Taps™ splice the Power Step trigger wires into their corresponding door ajar wire. See steps 26 and 27 for wire colors.



25

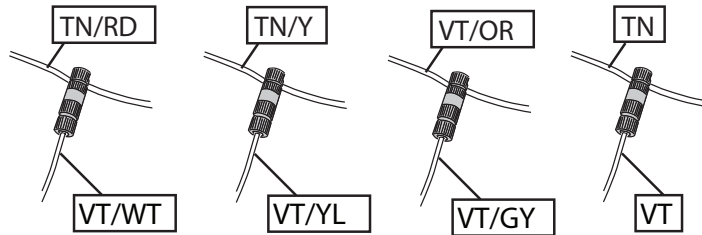
AMP RESEARCH POWER STEP – DODGE RAM

Model Year 2004-2007

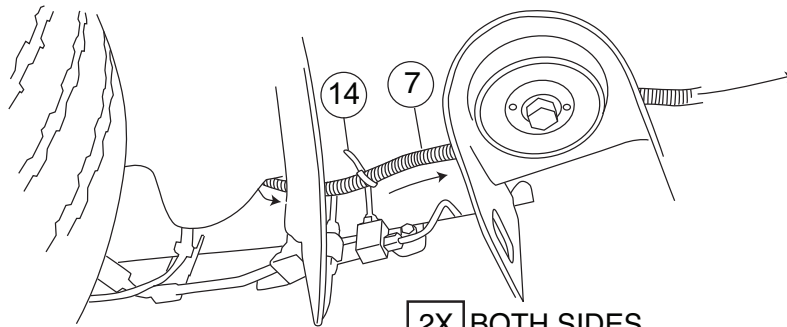


26

Model Year 2002-2003

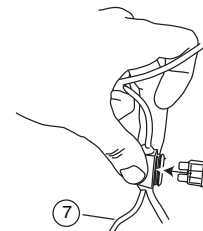


27

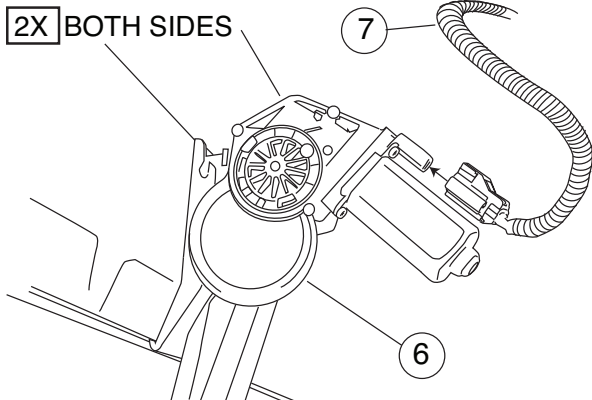


28

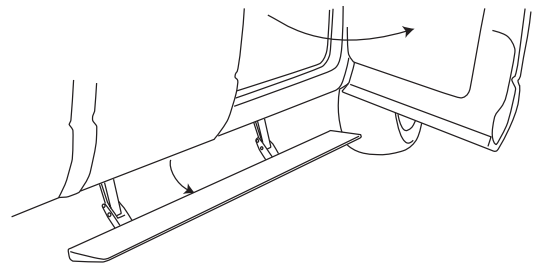
REINSTALL FUSE



29



30



31

LIMITED WARRANTY

AMP RESEARCH warrants product to be free from defects in material and workmanship, for terms specified below, provided there has been normal use and proper maintenance. This warranty applies to the original purchaser only. All remedies under this warranty are limited to the repair or replacement of any item found by the factory to be defective within the time period specified.

If you have a warranty claim, first you must call our factory at the number below for instructions. You must retain proof of purchase and submit a copy with any items returned for warranty work. Upon completion of warranty work, if any, we will return the repaired or replaced item or items to you freight prepaid. Damage to our products caused by accidents, fire, vandalism, negligence, misinstallation, misuse, Acts of God, or by defective parts not manufactured by us, is not covered under this warranty.

THE WARRANTY TIME PERIOD IS AS FOLLOWS: THREE YEARS FROM DATE OF PURCHASE.

ANY IMPLIED WARRANTIES OF MERCHANTABILITY AND/OR FITNESS FOR A PARTICULAR PURPOSE CREATED HEREBY ARE LIMITED IN DURATION TO THE SAME DURATION AND SCOPE AS THE EXPRESS WRITTEN WARRANTY. OUR COMPANY SHALL NOT BE LIABLE FOR ANY INCIDENTAL OR CONSEQUENTIAL DAMAGE.

Some states do not allow limitations on how long an implied warranty lasts, or the exclusion or limitation of incidental or consequential damages, so the above limitations or exclusions may not apply to you.

This warranty gives you specific legal rights, and you may also have other rights that vary from state to state.

For further information or request for warranty work, please call toll-free 1-888-983-2206 (press 5) for Customer Service.

WARNING

The manufacturer strongly recommends that this product be professionally installed.

Failure to carefully follow the electrical installation steps could result in severe electrical shock that could harm the installer and/or damage the vehicle.

This product is designed to enhance the appearance of the vehicle. Do not rely in any way on the components of this product to contain occupants within the vehicle, or to protect against injury or death in the event of an accident. Never operate vehicle in excess of manufacturer's specifications.

WEAR SEAT BELTS AT ALL TIMES

Read and follow, precisely, all installation instructions provided when installing this product. Failure to do so could place occupants of the vehicle in a potentially dangerous situation. After installing or reinstalling, check to make sure it has been properly installed.